

# はすば歯車 / ねじ歯車

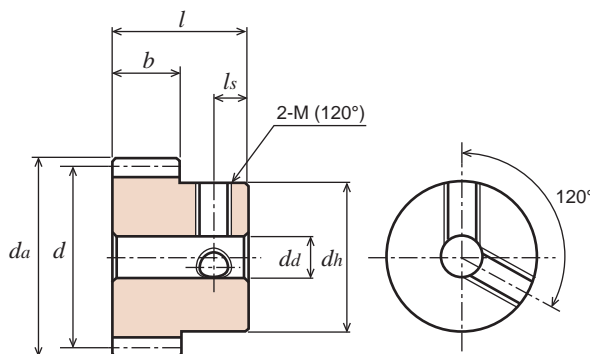
## HELICAL GEARS

モジュール **1/1.5** 圧力角 20° (並歯) ねじれ角 45°  
 20° PRESSURE ANGLE FULL DEPTH TOOTH 45° Helix Angle

JIS B 1702-1 (ISO) 9~10 級  
 System of accuracy : JIS B 1702-1(ISO) class 9-10



**New** **ねじを2箇所 (120°配) にしました。**  
 New item with two threaded holes (120°)



B1形  
TYPE B1

**ポリアセタール (白色)**  
 Material : Poly Acetal (White)

単位 : mm  
 Dimensions : mm

| 商品記号<br>Catalogue Number | ねじれ方向<br>Direction of Helix | モジュール<br>Module | 歯数<br>Number of Teeth | 基準円直径<br>Reference Diameter | 歯先円直径<br>Tip Diameter | 歯幅<br>Face Width | 穴径<br>Bore Diameter | ハブ外径<br>Hub Diameter | ハブ長さ<br>Hub Projection | 全長<br>Overall Length | ねじ<br>Set Screw |    | 重量<br>Weight |
|--------------------------|-----------------------------|-----------------|-----------------------|-----------------------------|-----------------------|------------------|---------------------|----------------------|------------------------|----------------------|-----------------|----|--------------|
|                          |                             |                 |                       |                             |                       |                  |                     |                      |                        |                      | 2-M(120°)       | ls |              |
| H1D 13R - B              | R                           | 1               | 13                    | φ18.38                      | φ20.4                 | 12               | φ 8                 | φ15                  | 10                     | 22                   | -               | -  | 5.4          |
| H1D 13L - B              | L                           | 1               | 13                    | φ18.38                      | φ20.4                 | 12               | φ 8                 | φ15                  | 10                     | 22                   | -               | -  | 5.4          |
| H1D 26R - B              | R                           | 1               | 26                    | φ36.77                      | φ38.8                 | 12               | φ10                 | φ32                  | 10                     | 22                   | -               | -  | 26.9         |
| H1D 26L - B              | L                           | 1               | 26                    | φ36.77                      | φ38.8                 | 12               | φ10                 | φ32                  | 10                     | 22                   | -               | -  | 26.9         |
| H1D 13R * B              | R                           | 1               | 13                    | φ18.38                      | φ20.4                 | 12               | φ 8                 | φ15                  | 10                     | 22                   | 2-M3            | 5  | 5.3          |
| H1D 13L * B              | L                           | 1               | 13                    | φ18.38                      | φ20.4                 | 12               | φ 8                 | φ15                  | 10                     | 22                   | 2-M3            | 5  | 5.3          |
| H1D 26R * B              | R                           | 1               | 26                    | φ36.77                      | φ38.8                 | 12               | φ10                 | φ32                  | 10                     | 22                   | 2-M4            | 5  | 26.6         |
| H1D 26L * B              | L                           | 1               | 26                    | φ36.77                      | φ38.8                 | 12               | φ10                 | φ32                  | 10                     | 22                   | 2-M4            | 5  | 26.6         |
| H1.5D 13R - B            | R                           | 1.5             | 13                    | φ27.58                      | φ30.6                 | 15               | φ10                 | φ23                  | 10                     | 25                   | -               | -  | 15.7         |
| H1.5D 13L - B            | L                           | 1.5             | 13                    | φ27.58                      | φ30.6                 | 15               | φ10                 | φ23                  | 10                     | 25                   | -               | -  | 15.7         |
| H1.5D 26R - B            | R                           | 1.5             | 26                    | φ55.15                      | φ58.2                 | 15               | φ12                 | φ40                  | 10                     | 25                   | -               | -  | 64.2         |
| H1.5D 26L - B            | L                           | 1.5             | 26                    | φ55.15                      | φ58.2                 | 15               | φ12                 | φ40                  | 10                     | 25                   | -               | -  | 64.2         |
| H1.5D 13R * B            | R                           | 1.5             | 13                    | φ27.58                      | φ30.6                 | 15               | φ10                 | φ23                  | 10                     | 25                   | 2-M4            | 5  | 15.5         |
| H1.5D 13L * B            | L                           | 1.5             | 13                    | φ27.58                      | φ30.6                 | 15               | φ10                 | φ23                  | 10                     | 25                   | 2-M4            | 5  | 15.5         |
| H1.5D 26R * B            | R                           | 1.5             | 26                    | φ55.15                      | φ58.2                 | 15               | φ12                 | φ40                  | 10                     | 25                   | 2-M5            | 5  | 63.6         |
| H1.5D 26L * B            | L                           | 1.5             | 26                    | φ55.15                      | φ58.2                 | 15               | φ12                 | φ40                  | 10                     | 25                   | 2-M5            | 5  | 63.6         |

【\*】(アスタ)にはセットスクリーが2個付いております。[\*]: Gear with two threaded holes / with two set screws.

### はすば歯車 (軸平行) 許容伝達動力表 曲げ強さ (W)

Allowable transfer capability table  
 The table below shows the Bending strength applicable for parallel axis only.

| 商品記号<br>Catalogue Numbers | 回転速度 (min <sup>-1</sup> )<br>revolution/min |       |        |        |        |          |          |
|---------------------------|---|-------|--------|--------|--------|----------|----------|
|                           | 10  | 100   | 200    | 400    | 800    | 1,200    | 1,500    |
| H1D 13R                   | 2.98  | 29.75 | 59.46  | 118.79 | 237.06 | 354.80   | 442.76   |
| H1D 26R                   | 5.95  | 59.46 | 118.79 | 237.06 | 472.02 | 704.88   | 875.19   |
| H1.5D 13R                 | 4.71  | 47.10 | 94.12  | 187.93 | 374.61 | 560.04   | 698.30   |
| H1.5D 26R                 | 9.43  | 94.12 | 187.93 | 374.61 | 744.23 | 1,099.52 | 1,356.90 |

The above numerical values are equivalent to JGMA formulas as reference only.

動力の換算式は P26 をご参照ください。

Please refer to the conversion formulas of power on page P26.